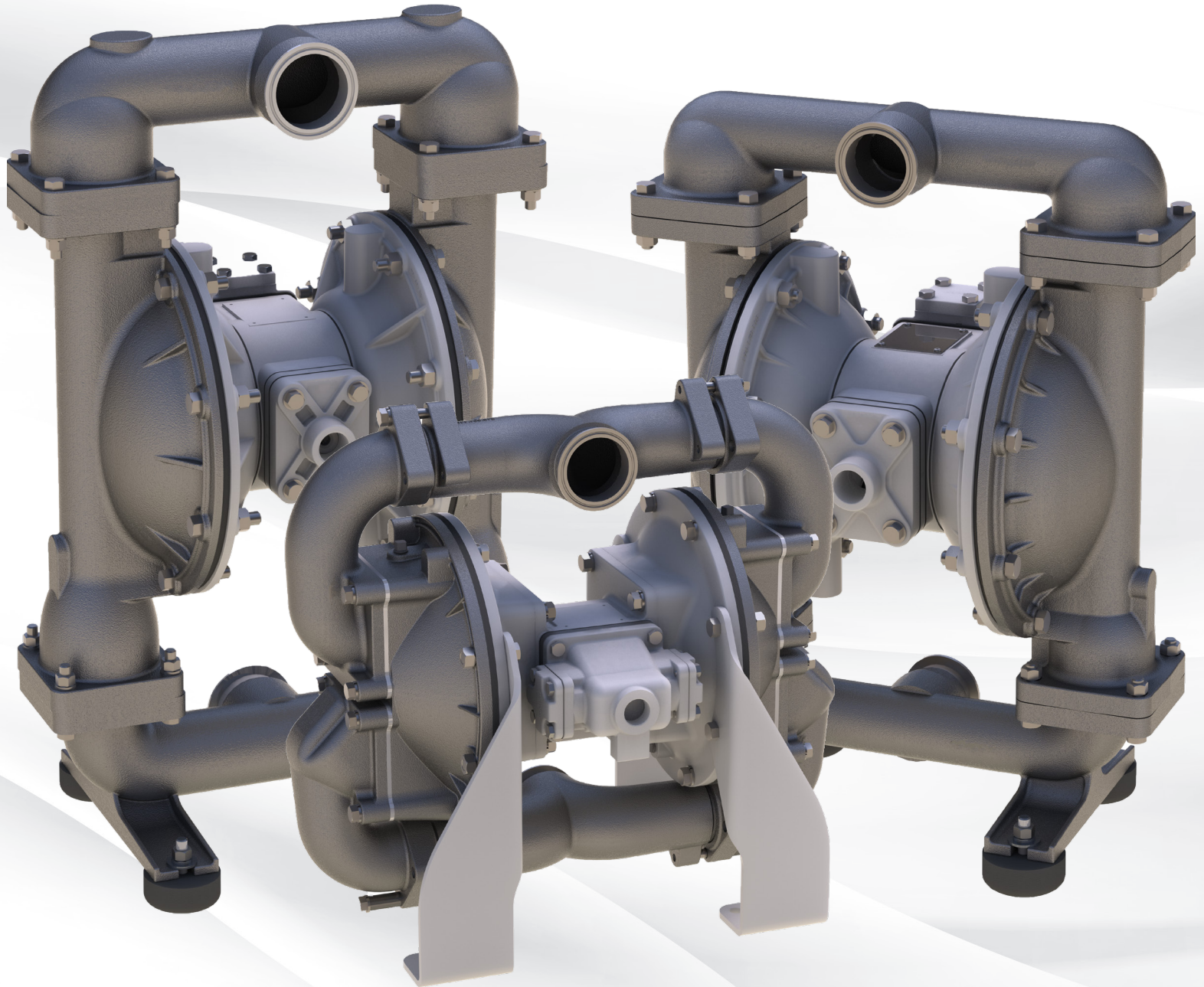


THE BEST

AIR OPERATED DOUBLE DIAPHRAGM PUMPS FOR WINE MAKING PROCESS

1"-3" FDA COMPLIANT PUMPS



EC1935

Food Processing plastic and elastomer food contact components meet the requirements of EU Regulation 1935/2004/EC. Refer to declaration of conformity for compliant models.

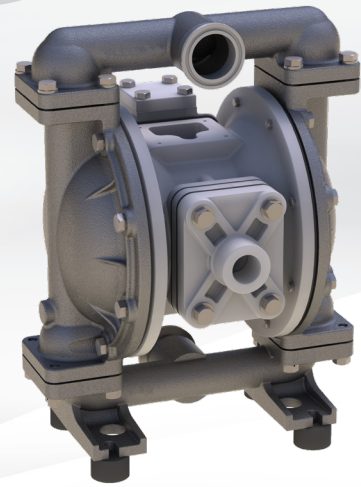
IDEX

SANDPIPER®

A WARREN RUPP, INC. BRAND | SANDPIPERPUMP.COM

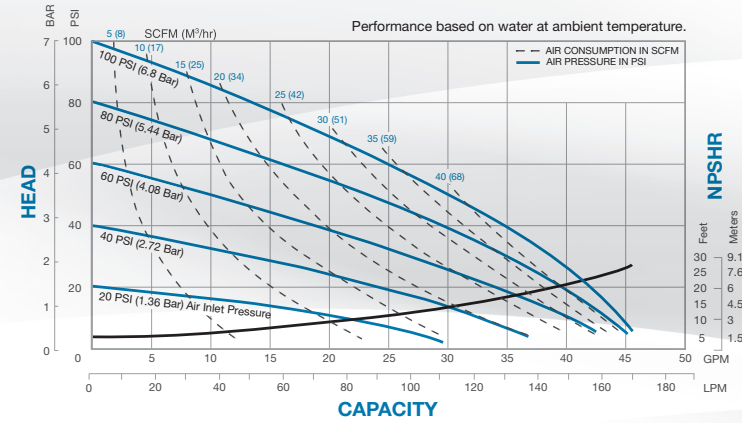
STANDARD FDA COMPLIANT PUMPS

PERFORMANCE & SPECIFICATIONS



1"
25mm

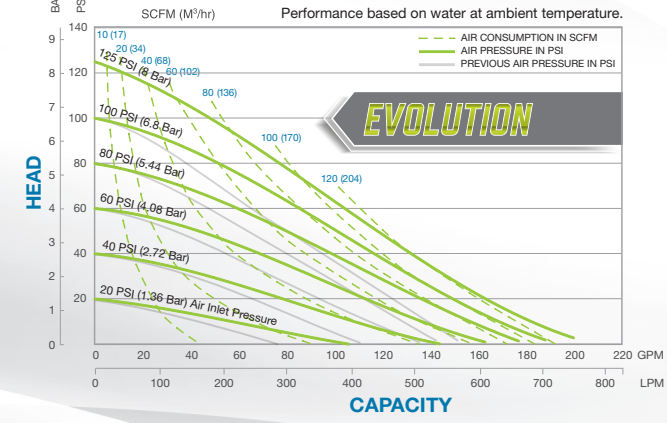
T1F Metallic Performance



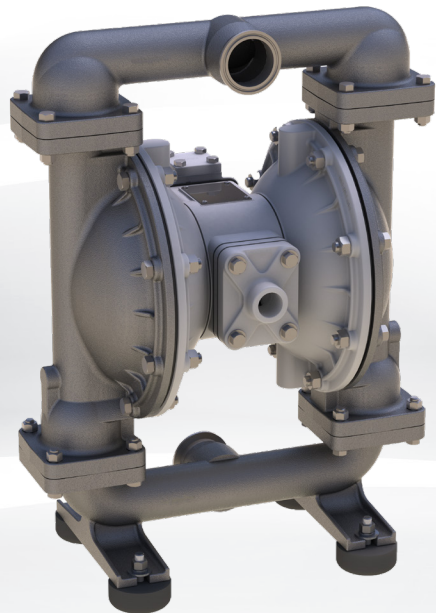
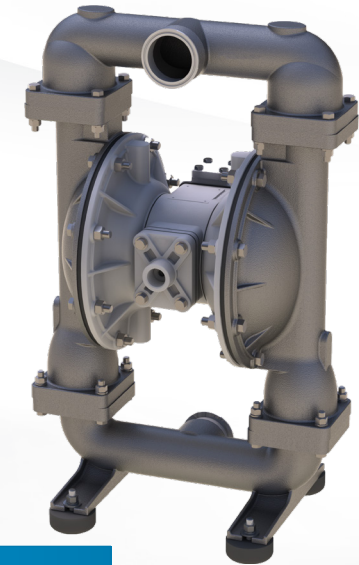
FEATURES					
Max Flow	Porting	Wet End	Elastomers	Air End	Ball Valve
45 GPM (170 LPM)	1.5" Tri-Clamp	Stainless Steel	Food Grade Nitrile Food Grade Santoprene® PTFE	Epoxy Coated Aluminum	Food Grade Nitrile Food Grade Santoprene® PTFE (virgin material)

2"
50mm

T20 Metallic Performance

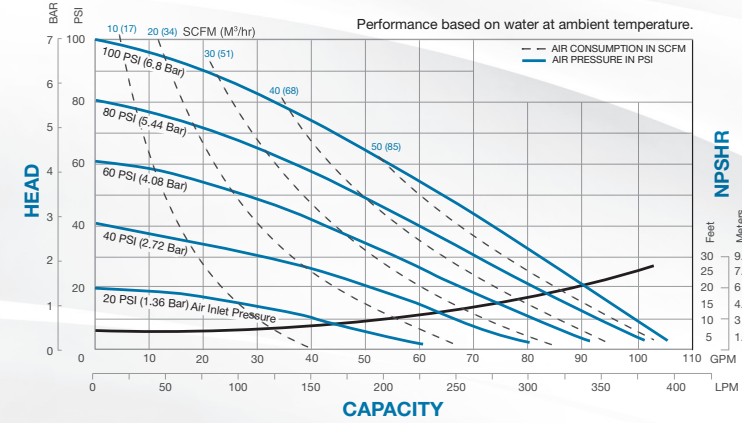


FEATURES					
Max Flow	Porting	Wet End	Elastomers	Air End	Ball Valve
200 GPM (758 LPM)	2.5" Tri-Clamp	Stainless Steel	Food Grade Nitrile Food Grade Santoprene® PTFE	Epoxy Coated Aluminum Stainless Steel	Food Grade Nitrile Food Grade Santoprene® PTFE (virgin material)



1 1/2"
38mm

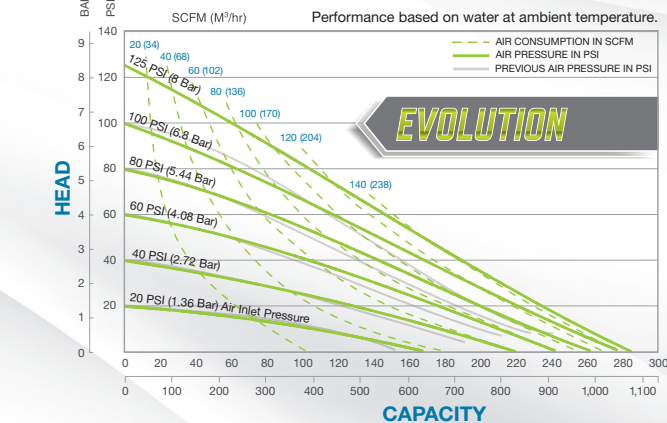
T15 Metallic Performance



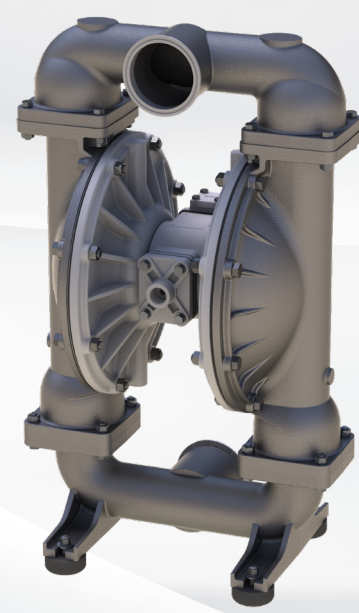
FEATURES					
Max Flow	Porting	Wet End	Elastomers	Air End	Ball Valve
106 GPM (401 LPM)	2" Tri-Clamp	Stainless Steel	Food Grade Santoprene® PTFE	Epoxy Coated Aluminum Stainless Steel	Food Grade Santoprene® PTFE (virgin material)

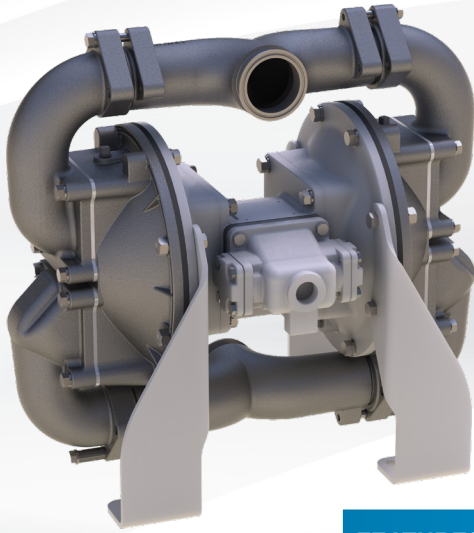
3"
75mm

T30 Metallic Performance



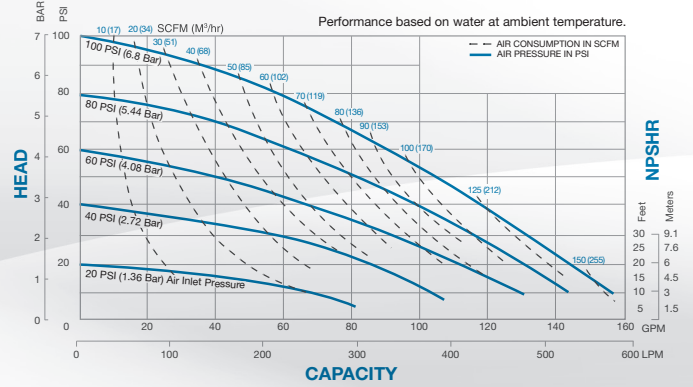
FEATURES					
Max Flow	Porting	Wet End	Elastomers	Air End	Ball Valve
285 GPM (1,078 LPM)	4" Tri-Clamp	Stainless Steel	Food Grade Nitrile Food Grade Santoprene® PTFE	Epoxy Coated Aluminum Stainless Steel	Food Grade Nitrile Food Grade Santoprene® PTFE (virgin material)





2"
50mm

TSA2 Metallic Performance



FEATURES

Max Flow	Porting	Wet End	Elastomers	Air End	Flap Valve
140 GPM (530 LPM)	2.5" Tri-Clamp	Stainless Steel	Food Grade Nitrile	Epoxy Coated Aluminum	Food Grade Nitrile

Various Applications in the Wine Process

- Barrel Topping
- Juice Pans
- Pump Overs
- Transfer
- Filter Press

What is

EVOLUTION

OPTIMIZED PERFORMANCE



Optimized performance without sacrificing proven reliability. These pumps have undergone an engineering EVOLUTION, leveraging trusted and proven product designs to improve their performance by application of advanced engineering methods.

LEARN MORE AT: SANDPIPERPUMP.COM/EVOLUTION



Warren Rupp, Inc. | A Unit of IDEX Corporation
800 North Main Street, Mansfield, OH 44902 USA
Phone: 419.524.8388 | Fax: 419.522.7867
SANDPIPERPUMP.COM



Contact Your Local Distributor to Place Your Order: